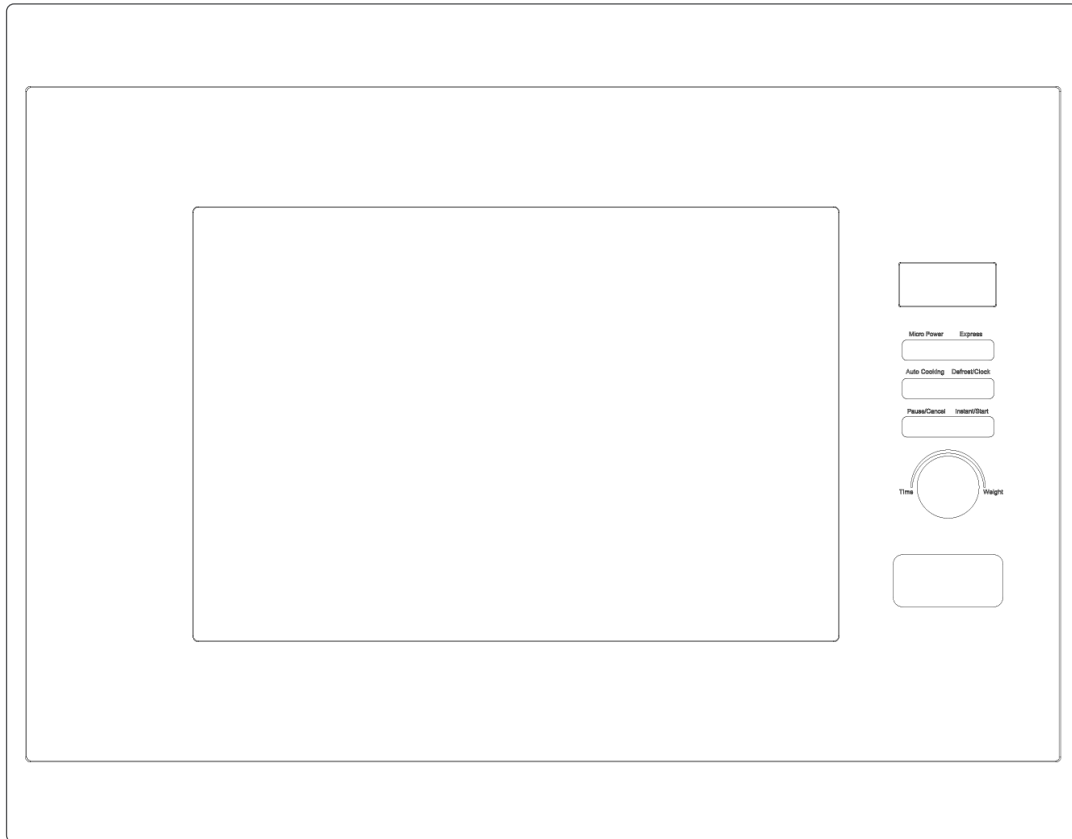




Baridi 25L Integrated Microwave Oven with Grill, 900W, Sensor Touch Controls, Black



Model No. DH198

Thank you for purchasing a Dellonda product. Manufactured to a high standard, this product will, if used according to these instructions, and properly maintained, give you years of trouble free performance.

Important Information

Please read these instructions carefully. Note the safe operational requirements, warnings & cautions. Use the product correctly and with care for the purpose for which it is intended. Failure to do so may cause damage and/or personal injury and will invalidate the warranty. Keep these instructions safe for future use.



Refer to
instruction
manual



Warning:
Hot
Surface

SPECIFICATION

Model No: DH198
Capacity: 25L
Maximum Timer Setting: 60 Minutes
Power: 900W
Product Dimensions (WxDxH): 596 x 335 x 391mm
Type: Built in

SAFETY INSTRUCTIONS

• ELECTRICAL SAFETY

- **WARNING!** It is the user's responsibility to check the following:
- Check all electrical equipment and appliances to ensure that they are safe before using.
- Inspect power supply leads, plugs and all electrical connections for wear and damage.
- Ensure that the insulation on all cables and on the appliance is safe before connecting it to the power supply.
- **DO NOT** use worn or damaged cables, plugs or connectors.
- Ensure that any faulty item is repaired or replaced immediately by a Dellonda qualified technician.
- If the cable or plug is damaged during use, switch off the electricity supply and remove from use.
- Dellonda recommend that an **RCD** (Residual Current Device) is used with all electrical products.
- **Important:** Ensure that the voltage rating on the appliance suits the mains power supply.
- **DO NOT** pull or carry the appliance by the power cable.
- **DO NOT** pull the plug from the socket by the cable.

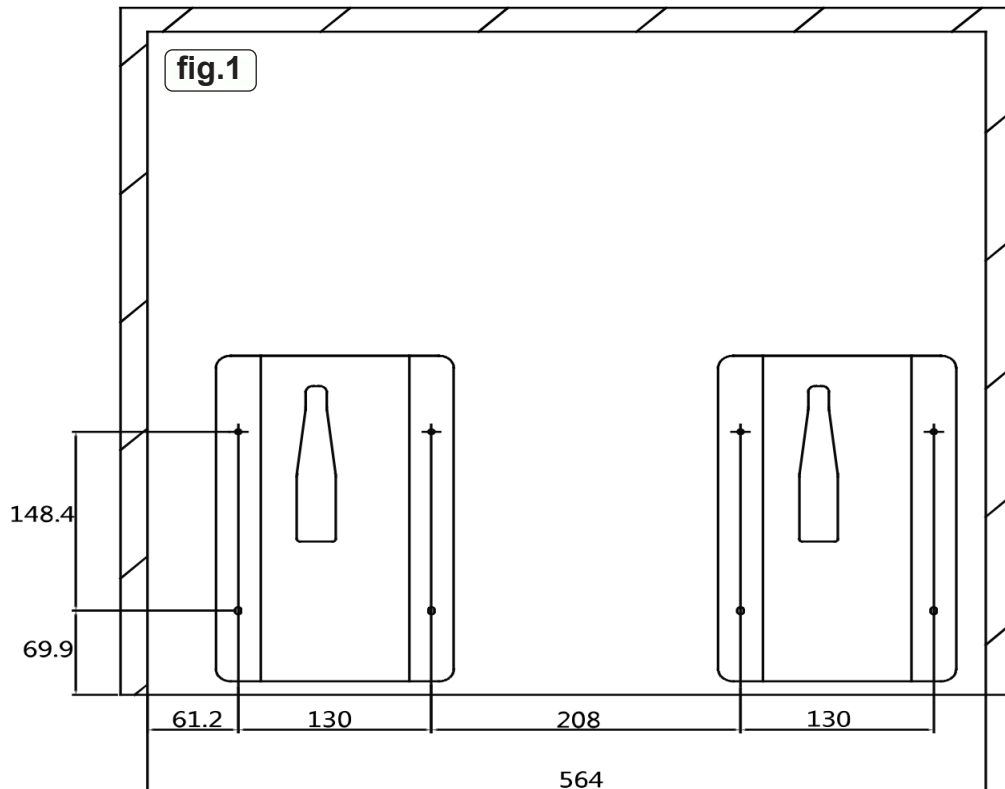
• GENERAL SAFETY

- **WARNING!** If the door or door seals are damaged, the oven must not be operated until it has been repaired by a trained person.
- **WARNING!** It is hazardous for anyone other than a trained person to carry out any service or repair operation, which involves the removal of any cover, which gives protection against exposure to microwave energy.
- **WARNING!** Liquids or other food must not be heated in sealed containers since they are liable to explode.
- Only use utensils that are suitable for use in microwave ovens.
- Metallic containers for food and beverages are not allowed during microwave cooking.
- When heating food in plastic or paper containers, keep an eye on the oven due to the possibility of ignition.
- The microwave oven is intended for heating food and beverages. Drying of food or clothing and heating of warming pads, slippers, sponges, damp cloth and similar may lead to risk of injury, ignition or fire.
- If smoke is observed, switch off or unplug the appliance and keep the door closed in order to stifle any flames.
- Microwave heating of beverages can result in delayed eruptive boiling, therefore care has to be taken when handling the container.
- The contents of feeding bottles and baby food jars are to be stirred or shaken and the temperature is to be checked before consumption, in order to avoid burns.
- Eggs in their shell and whole hard boiled eggs shall not be heated in microwave ovens since they may explode, even after microwave heating has ended.
- Failure to maintain the oven in a clean condition could lead to deterioration of the surface that could adversely affect the life of the appliance and possibly result in a hazardous situation.
- Care should be taken not to displace the turntable when removing containers from the appliance.
- The appliance shall not be cleaned with a steam cleaner.
- The appliance must not be installed equal or higher than 900 mm above the floor. Minimum height of free space necessary above the top surface of the oven: See the installation drawing on the next page.
- **WARNING!** When the appliance is operated in the combination mode, children should only use the oven under adult supervision due to the temperatures generated.
- **CAUTION: HOT SURFACES**
- If the supply cord is damaged, it must be replaced by the manufacturer or its service agent or a similarly qualified person in order to avoid a hazard.
- This appliance can be used by children aged from 8 years and above and persons with reduced physical, sensory or mental capabilities or lack of experience and knowledge if they have been given supervision or instruction concerning use of the appliance in a safe way and understand the hazards involved.
- Children shall not play with the appliance.
- Cleaning and user maintenance shall not be made by children without supervision.

- The plug must be easily accessible after installation of the appliance.
- This appliance must not be placed in a cabinet with a door.
- During use the appliances becomes hot. Care should be taken to avoid touching heating elements inside the oven.
- **WARNING!** Accessible parts may become hot during use. Young children should be kept away.
- **WARNING!** The appliance and its accessible parts become hot during use.
- Children less than 8 years of age shall be kept away unless continuously supervised.
- Do not use harsh abrasive cleaners or sharp metal scrapers to clean the oven door glass since they can scratch the surface, which may result in shattering of the glass.
- This appliance is intended to be used in household and similar applications such as: staff kitchen areas in shops and other working environments; farm houses; by clients in hotels, motels and other residential environments; bed and breakfast type environments.
- The appliance must not be installed behind a decorative door in order to avoid overheating.

- This appliance can be used by children aged from 8 years and above and persons with reduced physical, sensory or mental capabilities or lack of experience and knowledge if they have been given supervision or instruction concerning use of the appliance in a safe way and understand the hazards involved. Children shall not play with the appliance. Cleaning and user maintenance shall not be made by children without details indicating the correct installation of the shelves.

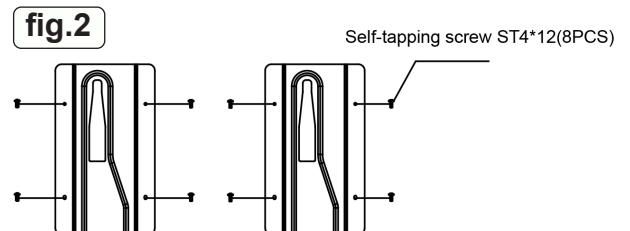
INSTALLATION



- The position of the oven shall be such that it is far from the TV, Radio or antenna as picture disturbance, or noise may occur.
- The appliance must be positioned so that the plug is accessible.
- This is a cabinet microwave oven, which is subject to **PRECAUTIONS** and **INSTALLATION** below.
- **PRECAUTIONS:**
- Given the limited room of the cabinet, the microwave oven must be installed under the following instructions so as to avoid danger.

- **INSTALLATION:**

- a) Drill the frame screw hole first, as shown in Fig.1.
- b) Installation of supporting seat, as shown in Fig.2.
- c) Install the two metal spacers in the bottom of product and fix them, as shown in Fig.3.
- d) Put the product into the cabinet till the metal spacers fall down, as shown in Fig.3.
- e) Open the door, then fix it with screws, as shown in Fig.5. Install the plastic cover over the screw hole.



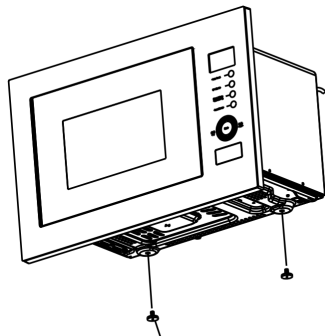


fig.3

Adjustable feet

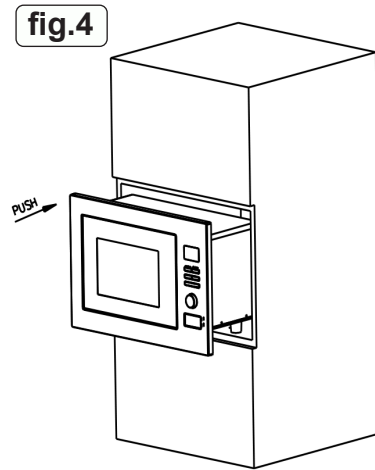


fig.4

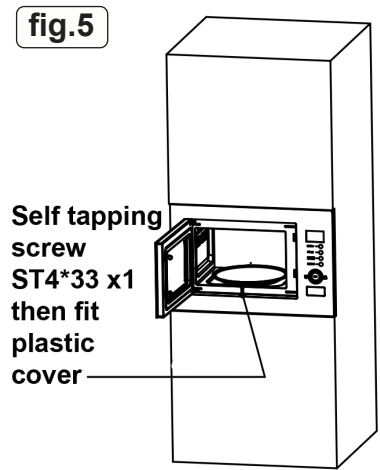


fig.5

Self tapping screw ST4*33 x1 then fit plastic cover

CABINET DETAILS:

- Product size: (W)595x(H)390x(D)352 (mm)
- Opening size: (W)600x(H)378x(D)550(mm) as shown in Fig.6.
- G: 18mm
- I: 8mm
- H: 21mm

CLEANING

- **CAUTION:** The oven should be cleaned regularly and any food deposits removed.
- a. **WARNING!** Remove the mains plug from the wall outlet before cleaning. Don't immerse the appliance in water or other fluids when cleaning.
- b. Failure to maintain the oven in a clean condition could lead to deterioration of the surface that could adversely affect the life of the appliance and possibly result in a hazardous situation.
- c. Never use strong detergent, gasoline, abrasive powder or metal brushes to clean any part of the appliance.
- d. Do not remove the waveguide cover.
- e. When the microwave oven has been used for a long time, there may be some strange odours in the oven, following 3 methods can get rid of them:
 - 1) Place several lemon slices in a cup, then heat with high micro power for 2-3 min.
 - 2) Place a cup of red tea in oven, then heat with high micro power.
 - 3) Put some orange peel into oven, and then heat them with high micro power for 1 minute.
- **WARNING:** Only allow children to use the oven without supervision when adequate instructions have been given so that the child is able to use the oven in a safe way and understands the hazards of improper use.

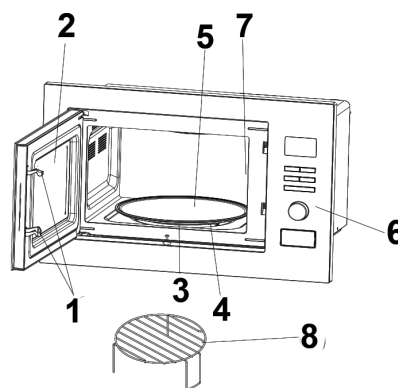
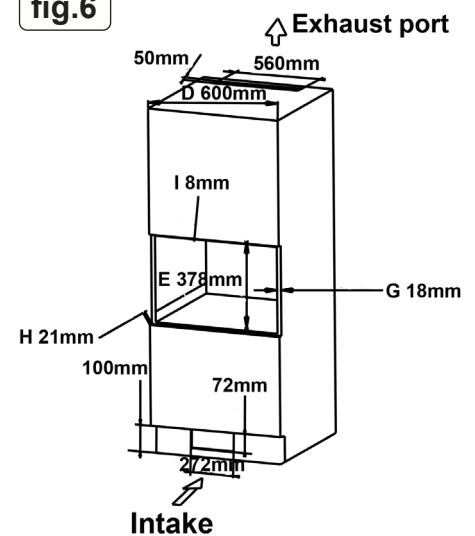
TIPS FOR CLEANING

- Details for cleaning door seals, cavity and adjacent parts:
- Exterior: Wipe the enclosure with a dampened soft cloth
- Door: Using a dampened soft cloth, wipe clean the door and window
- Wipe the door seals and adjacent parts to remove any spill or spatter
- Wipe the control panel with a slightly dampened soft cloth
- Interior walls:
- Wipe clean the cavity with a dampened soft cloth
- Wipe clean the waveguide cover to remove any food splashed
- Turntable/ Rotation ring/ Rotation axis:
- Wash with mild soap water
- Rinse with clean water and allow to dry.

FEATURES

- 1) Door lock
- Microwave oven door must be properly closed in order for it to operate.
- 2) Viewing window
- 3) Rotating ring
- The glass turntable sits on its wheels; it supports the turntable and helps it to balance when rotating
- 4) Rotating axis
- The glass turntable sits on the axis; the motor underneath it drives the turntable
- 5) Turntable
- The food sits on the turntable, its rotation during operation helps to cook food evenly - Place the rotating ring first - Fit the turntable onto the rotating axis and make sure that it is inserted properly
- 6) Control panel
- See diagram on right of page.
- 7) Waveguide cover
- Inside, next to the wall of control panel. Never remove the waveguide cover.
- 8) Grill rack

fig.6



Waveguide cover

OPERATION

- **WARNING! DO NOT** operate this microwave when empty, running a microwave without any food or liquid inside can cause damage to the appliance. Always ensure there is suitable content inside before use.
- 1. **BEFORE COOKING**
- The **LED** flashes 3 times when plugged into power supply. Then it flashes "1:00", prompting you to input the cooking menu and time.
- 2. **AUTO COOKING/ TIME, WEIGHT KNOB**
- You can increase or decrease cooking time, weight or select auto cooking menu during operation by turning Auto Cooking/ Time.
- Weight knob.
- 3. **PAUSE/CANCEL**
- At the initial or input stage: press once to cancel input programs and resume initial stage.
- During cooking: press once to stop oven operation, press twice to cancel cooking programs.
- 4. **AUTO REMINDER**
- When preset cooking procedure has finished, the **LED** Display will show End and three beeps sound will be heard to prompt you to take out food. If you do not press Pause/Cancel button once or open the door, the beep will be sounded at an interval of 3 minutes.
- 5. **INSTANT COOKING**
- On the standby status, press Instant/Start button, the oven will start cooking with high power, system default cooking time is 1 minute. Increase or decrease cooking time by turning the knob.
- 6. **CLOCK SETTING**
- Clock button makes it available for you to input current or preset time when ":" flashes onto LCD display after the appliance has been plugged in, or try to skip it over to continue if unnecessary.



Example: to set 12:30		
	Steps	Display
1	After power-up, the colon flashes	1:00
2	Press and hold Defrost/Clock button for 3 seconds	1:00
3	Turn Time/Weight knob to set exact hours.	12:00
4	Press Defrost/Clock button once again.	12:00
5	Turn Time/Weight knob to set exact minutes.	12:30
6	Press Defrost/Clock button once again or wait for 60 seconds, and the numbers will stop flashing.	

- This button is with three functions: set clock, preset and set defrost menu. If you want to set clock, you need to press and hold this button for 3 seconds, while just press this button once to enter defrost state.
- 7. **MICROWAVE COOKING**
- This function is for cooking and heating food. Press Micro Power button, **LED** will cycle to show 100P–80P–60P–40P–20P.

High Power	100% microwave power. Applicable for quick and thorough cooking
Medium High Power	80% microwave power. Applicable for medium express cooking
Medium Power	60% microwave power. Applicable for steaming food
Medium Low Power	40% microwave power. Applicable for defrosting food
Low Power	20% microwave power. Applicable for keeping warm

- **CAUTION!**
- a. The max time which can be set is 60 minutes.
- b. Never operate the oven empty.
- c. If you turn the food during operation, press the Instant/Start button once and the preset cooking procedure will continue.
- d. If you intend to remove the food before the preset time, you must press Pause/Cancel button once to clear the preset procedure to avoid unintended operation of next time use.
- e. At the maximum microwave power, the oven will automatically lower the power after a certain time of cooking to lengthen the service life.

Example: To cook at P80 for 10 minutes.		
	Steps	Display
1	After power-up, the colon flashes	1:00
2	Select the desired microwave power by pressing Micro Power button consecutively	80P
3	Set cooking time by turning Auto cooking/Time. Weight knob.	10:00
4	Press Instant/Start button to start and LCD will count down to show running time.	

• **8. GRILL OR GRILL COMBINATION**

- This function is used for grilling food. Press this button, LCD display will cycle to show G – C.1 – C.2.

G	Grill, the heat element will be energized during operation time. Which is applicable for rolling thin meats or pork, Sausage, chicken wing as good brown colour can be obtained.
C.1	Combination of grill and microwave cooking 30% of time microwave output and 70% time grilling.
C.2	Combination of grill and microwave cooking. 55% of time microwave output and 45% of time grilling

- **CAUTION:** In the mode of grill/combi, all of the oven parts, as well as the rack and cooking containers, may become very hot. Use caution when removing any item from the oven. Use heavy potholders or oven mitts to PREVENT BURNS.

Example: To grill food with C.2 cook menu for 10 minutes		
	Steps	Display
1	After power-up, the colon flashes	1:00
2	Press Grill/Combi button to select desired grill menu	C.2
3	Set cooking time by turning the Auto Cooking/Time. Weight knob	10:00
4	Press Instant/Start to start cooking	

• **9. DEFROST**

- This function is used for defrosting food. Press the Preset/Defrost/Clock button once and the LCD display will show DEF.
- Then turn the Auto cooking/ Time. Weight knob to choose the weight, the LCD display will cycle to show (0.1, 0.2, 0.3, 0.4, 0.5, 0.6, 0.7, 0.8, 0.9, 1.0, 1.2, 1.4, 1.6, 1.8, 2.0).
- a. It is necessary to turn over the food during operation to obtain uniform effect.
- b. Usually defrosting will need longer time than that of cooking the food.
- c. If the food can be cut by knife, the defrosting process can be considered completed.
- d. Microwave penetrates around 4cm into most food.
- e. Defrosted food should be consumed as soon as possible, it is not advised to put back to fridge and freeze again.

Example: To defrost 0.4kg poultry		
	Steps	Display
1	After power up the colon flashes	1:00
2	Press Defrost/Clock button once to set the food type.	DEF
3	Turn Time/Weight knob to set the defrost weight	0.4
4	Start cooking by pressing Instant/Start	
5	During defrosting, beep sounds will be heard two times to prompt you turn over the food. Open the door and turn over the food. Then close the door. Press Instant/Start button again to continue defrosting	

• **10. AUTO COOKING**

- The oven has default cooking menu for simple operation. When the colon flashes on the LCD, turn the knob to auto cooking and the LCD will cycle to show A.1, A.2... A.8.
- Choose the appropriate menu according to the food type and weight and strictly observe the directions in below table, otherwise the cooking effect will be largely affected.

Display	Food	Method
A.1	Popcorn	Suitable for popping a small bag of corn, weighing 85g . Popcorn prior to completing, if the popping speed has been decreased to 1 time per 1-2 seconds you should press Pause/Cancel button to stop the popping process
A.2	Popcorn	Suitable for popping a big bag of corn, weighing 100g
A.3	Pizza	Warm 1 portion of pizza which is weighing 150g
A.4	Beverage	Heating a cup of 250ml liquid.
A.5	Beverage	Heating a big cup of 500ml liquid.
A.6	Potato	Cooking the potato strips, cut into 5mm width and height, length. Total weight is about 0.45 kg. Place the strips on a large dish and cover the dish with a thin film to prevent water loss
A.7	Potato	Cook the potato strips weighing about 0.65 kg. A.8 Fish
A.8	Fish	Cook the fish which weighs about 0.45kg.

• **CAUTION:**

- a. The temperature of food before cooking should be 20-25°C. Higher or lower temperature of the food before cooking would require increase or decrease of cooking time.
- b. The temperature, weight and shape of food will largely influence the cooking effect. If any deviation has been found to the factor noted on above menu, you can adjust the cooking time for best results.

Example: Steam 0.65kg potato		
	Steps	Display
1	After power up the colon flashes	1:00
2	Turn the Auto cooking/ Time. Weight knob to auto cooking.	A.7
3	Press Instant/start to set cooking menu.	

- 11. **AUTOMATIC STARTING (DELAYED FUNCTION)**
- If you do not want the menu be started immediately, you can preset the cooking menu and time and the preset menu will be automatically started at your set time. The setting will consist of 2 steps:
 1. Setting the current clock;
 2. Setting the cooking menu and time.

Example: Now it is 12:30 clock, if you want the microwave oven to automatically start cooking with 100P microwave power for 9 minutes and 30 seconds at 14:20		
	Steps	Display
1	After power-up, the colon flashes	1:00
1.1	Press and hold Defrost/Clock button for 3 seconds	1:00
1.2	Set hours by turning Auto cooking/Time. Weight knob	12:00
1.3	Press Preset/ Defrost /Clock button again to confirm hours	12:00
1.4	Set minutes by turning Auto cooking/ Time Weight knob	12:30
1.5	Press Preset/ Defrost /Clock button once or waiting for 60 seconds, and the numbers will go steady.	12.30
2	Set the cooking menu and time.	
2.1	Select cooking power by pressing Micro Power button	100P
2.2	Turn Auto cooking/ Time Weight knob to set cooking time	9:30
2.3	Press and hold Preset/ Defrost/Clock button for 3 seconds to return to current clock	
3	Set the time you expect to start. Repeat the steps of 1.2, 1.3, 1.4	
4	Press Preset/Defrost/Clock button to confirm the delayed menu. Now the program has been activated. And the menu will be started at 14:20.	
5	Check the preset starting time by pressing Preset/Defrost/Clock button.	

- 12. **MULTI-SEQUENCE COOKING**
- To obtain best cooking result, some recipes call for different cook mode and time. You may program your personalized menu as follows:

Example: You want cook food with 100P microwave for 3 minutes then 20P for 9 minutes. This is a 2 sequence setting.		
	Steps	Display
1	100P microwave for 3 min	
1.1	Press Micro Power button to select power level.	100P
1.2	Turn Time/Weight knob to set cooking time.	3:00
2	20P for 9min	
2.1	Press Micro Power button to select desired menu	20P
2.2	Turn Time/Weight to set cooking time	9:00
3	Start cooking by pressing Instant/Start	

- a. When 100 microwave power cooking is finished, microwave oven will begin next operation automatically.
- b. Max 4 sequences can be set per time, repeat the steps.
- 13. **CHILD LOCK FUNCTION**
- Use this feature to lock the control panel when you are cleaning or so that children can not use the oven unsupervised. All the buttons are rendered inoperable in this mode.
 - 1) Set lock: Hold Pause/Cancel button about 3 seconds.
 - 2) Cancel lock: Hold Pause/Cancel button about 3 seconds.
- **After 15 minutes of no operation, the microwave will go into standby mode.** The power consumption in standby mode does not exceed 0.8W.

UTENSILS GUIDELINE

- It is strongly recommended to use the containers which are suitable and safe for microwave cooking. Generally speaking, the containers which are made of heat-resistant ceramic, glass or plastic are suitable for microwave cooking. Never use the metal containers for microwave cooking and combination cooking as sparking is likely to occur. Refer to table below.

Container material	Microwave	Grill	Combi	Notes
Heat resistant ceramic	Yes	Yes	Yes	Never use the ceramics which are decorated with Metal rim or glazed
Heat resistant plastic	Yes	No	No	Can not be used for long time microwave cooking
Heat resistant glass	Yes	Yes	Yes	
Plastic film	Yes	No	No	It should not be used when cooking meat or chops as the over temperature may do damage to the film
Grill	No	Yes	Yes	It should not be used in microwave oven Microwave can not penetrate through metal.
Metal container	No	No	No	It should not be used in microwave oven Microwave can not penetrate through metal.
Lacquer	No	No	No	Poor heat resistant. Can not be used for High temperature cooking
Bamboo wood and paper	No	No	No	Poor heat resistant. Can not be used for High temperature cooking

COOKING TIPS

- The following factors may affect the cooking result:
- **FOOD ARRANGEMENT**
- Place thicker areas towards outside of dish, the thinner part towards the centre and spread it evenly. Do not overlap if possible.
- **COOKING TIME LENGTH**
- Start cooking with a short time setting, evaluate it after it times out and extend it according to the actual requirements. Over cooking may result in smoke and burns.
- **COOKING FOOD EVENLY**
- Food such as chicken, hamburger or steak should be turned once during cooking. Depending on the type of food, if applicable, stir it from outside to centre of dish once or twice during cooking.
- **ALLOW STANDING TIME**
- After cooking times out, leave the food in the oven for an adequate length of time, this allows it to complete its cooking cycle and cooling it down in a gradual manner.
- **WHETHER THE FOOD IS DONE**
- Color and hardness of food help to determine if it is done, these include:
 - - Steam coming out from all parts of food, not just the edge
 - - Joints of poultry can be moved easily
 - - Pork or poultry shows no signs of blood
 - - Fish is opaque and can be sliced easily with a fork
- **BROWNING DISH**
- When using a browning dish or self-heating container, always place a heat-resistant insulator such as a porcelain plate under it to prevent damage to the turntable and rotating ring.
- **MICROWAVE SAFE PLASTIC WRAP**
- When cooking food with high fat content, do not allow the plastic wrap come into contact with food as it may melt
- **MICROWAVE SAFE PLASTIC COOKWARE**
- Some microwave safe plastic cookware might not be suitable for cooking foods with high fat and sugar content. Also, the preheating time specified in the dish instruction manual must not be exceeded.

MAINTENANCE

- **SERVICING**
- Please check the following before contacting Dellonda.
 1. Place one cup of water (approx. 150ml) in a glass measure in the oven and close the door securely. Oven lamp should go off if the door is closed properly. Let the oven work for 1 min.
 2. Does the oven lamp light?
 3. Does the cooling fan work?
- (Put your hand over the rear ventilation openings.)
- 4. Does the turntable rotate?
- (The turntable can rotate clockwise or counter clockwise. This is quite normal.)
- 5. Is the water inside the oven hot?
- If "NO" is the answer to any of the above questions, please check your wall socket and the fuses.
- If both the wall socket and the fuse are functioning properly, contact Dellonda.
- **SERVICING SAFEGUARDS**
- **CAUTION: MICROWAVE RADIATION**
- 1. The high voltage capacitor remains charged after disconnection; short the negative terminal of H. V capacitor to the oven chassis (use a screwdriver) to discharge before touching.
- 2. During servicing below listed parts are liable to be removed and give access to potentials above 250V to earth.
 - Magnetron
 - High voltage transformer
 - High voltage capacitor
 - High voltage diode
 - High voltage fuse

Environment Protection and Waste Protection and Electrical Equipment Regulations (WEEE)

Recycle unwanted packaging materials. When this product is no longer required, or has reached the end of its useful life, please dispose of it in an environmentally friendly way. Drain any fluids (if applicable) into approved containers, in accordance with local waste regulations. It is our policy to continually improve products and we reserve the right to alter data, specifications and parts without prior notice. No liability is accepted for incorrect use of this product. Guarantee is 12 months from purchase date, proof of which is required for any claim.